



SLDA-95 is an uniquely designed Deaerator head for efficient removal of oxygen and dissolved gases from boiler feed water with proper mixing of condensate, makeup water and flash steam.

PIPE CONNECTIONS

Flanged : Suitable to fit on boiler feed water tank with ASA150 flange connection
(Ensure that mounting flange on feed water tank is of SLDA-95 size and ASA150 connection)

DESIGN CONDITIONS

- Max. Allowable Pressure (PMA) - 19 Bar (g) @ 38° C
- Max. Allowable Temp (TMA) - 220° C
- Max. Operating Pressure (PMO) - 10.2 Bar @ 220° C
- Max Operating Temperature (TMO) - 220° C

SIZE

150NB - 3,3.5,4,6,8 Feet
200NB - 4,6,8 Feet
250NB - 6,8, Feet
300NB - 6, 8, Feet
(Feet - Immersion tube length in feet)

UNIQUE FEATURES

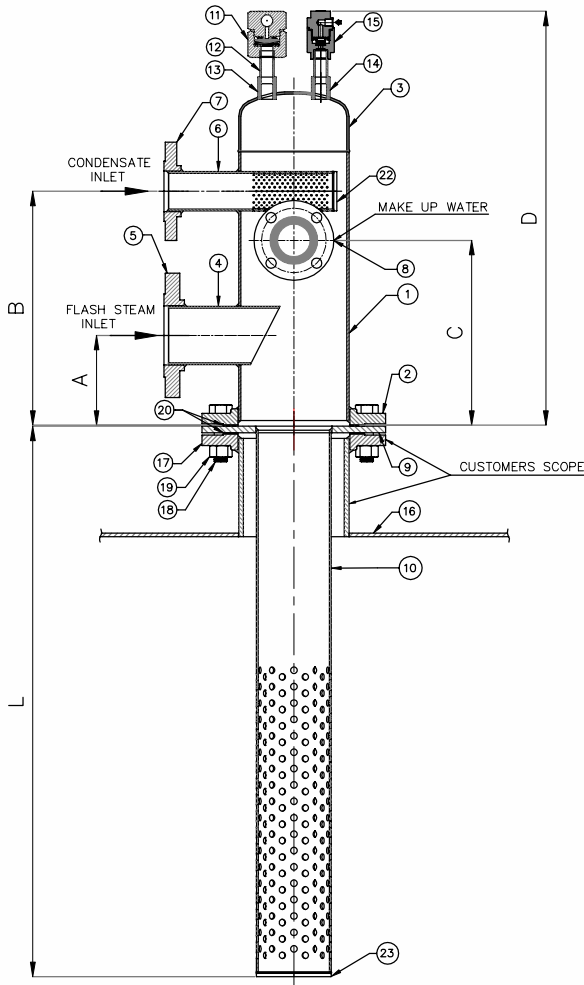
- Stainless Steel (AISI 304) construction to avoid corrosion & longer life of product.
- Unique design for condensate, makeup water & flash steam inlet in Deaerator body to get better efficiency
- Installation made easy with standard flange on boiler feed water tank.

CERTIFICATION

En 10204 - 3.1

[SLDA - 95] DEAERATOR

CONSTRUCTION



PART LIST

NO	DESCRIPTION	MATERIAL	QTY
1	(SHELL) PIPE X" SCH.10	ASTM A312 GR.304	1
2	BODY FLANGE SIZE"	ASTM A240 GR.304	1
3	DISH END X" SCH.10	AISI 304	1
4	FLASH STEAM INLET PIPE X" SCH.10	ASTM A312 GR.304	1
5	FLASH STEAM INLET X" SORF FLANGE #150	ASTM A240 GR.304	1
6	CONDENSATE INLET PIPE X" SCH.10	ASTM A312 GR.304	1
7	CONDENSATE INLET X" SORF FLANGE #150	ASTM A240 GR.304	1
8	MAKE UP WATER X" SORF FLANGE #150	ASTM A240 GR.304	1
9	IMMERSION TUBE PLATE FLANGE #150	ASTM A240 GR.304	1
10	IMMERSION TUBE	ASTM A312 GR.304	1
11	THERMOSTATIC AIR VENT	AISI 304	1
12	NIPPLE	AISI 304	1
13	SOCKET 1/2"	AISI 304	1
14	SOCKET 1/2"	AISI 301	1
15	VACUUM BREAKER 1/2"	AISI 304	1
16	FEED WATER TANK	AISI 304	1
17	X" SORF FLANGE #150	ASTM A240 GR.304	1
18	STUD	AISI 304	*
19	NUT	AISI 304	*
20	MOUNTING GASKET	GRAPHITE WITH AISI 304	2
21	X" END PLATE	AISI 304	1
22	X" END PLATE	AISI 304	1
23	X" END PLATE	AISI 304	1

** X" - SIZES AS PER DESIGN.

DIMENSIONS

SIZE	A (mm)	B (mm)	C (mm)	D (mm)	L (mm)
150NB	136	356	280	640	900, 1050, 1200, 1800, 2400
200NB	235	460	385	740	1200, 1800, 2400
250NB	290	510	420	790	1800, 2400
300N8	480	700	595	990	1800, 2400

SPARE PARTS

- Mounting gasket - Set of 4 nos.
- Thermostatic air vent

INSTALLATION

- Ensure that feed water tank depth is more than immersion tube length.
- Immersion tube to be installed in vertical position.

HOW TO ORDER

While Ordering, always mention size of Deaerator & Length of Immersion tube in feet
Ex. SLDA95, 150NB, 3 feet.



Steamlok Engineering Private Limited

Factory : W75, S-Block, MIDC Bhosari, Pune (MH) 411 026, India
Email : sales@steamlokengineering.com
Web : www.steamlok.com | www.steamlok.co.in