

STEAMLOK ENGINEERING

[**SLTST - 35**]

THERMOSTATIC STEAM TRAP



Steamlok



SLTST - 35 is an uniquely designed Thermostatic Steam Trap in forged carbon steel (A105) with maintainable strainer.

SIZE

15 NB, 20 NB

PIPE CONNECTIONS

Screwed : BSP, BSPT, NPT

Socket Weld

Flanged : ASA150, ASA300 (Welded on)

DESIGN CONDITIONS

- Max. allowable pressure (PMA) - 51 bar (g)
- Max. allowable temperature (TMA) - 425° C
- Max. operating pressure (PMO) - 22 bar (g)
- Max. operating temperature (TMO) - 225° C

CERTIFICATION

IBR approval / En10204 - 3.1

INSTALLATION

- Trap to be installed on horizontal line as per arrow direction on trap.
- Ensure that cover remains on top side

UNIQUE FEATURES

- Maintainable strainer design.
- Thermostatic element designed for wide pressure range.
- Functional test - 100% on steam.

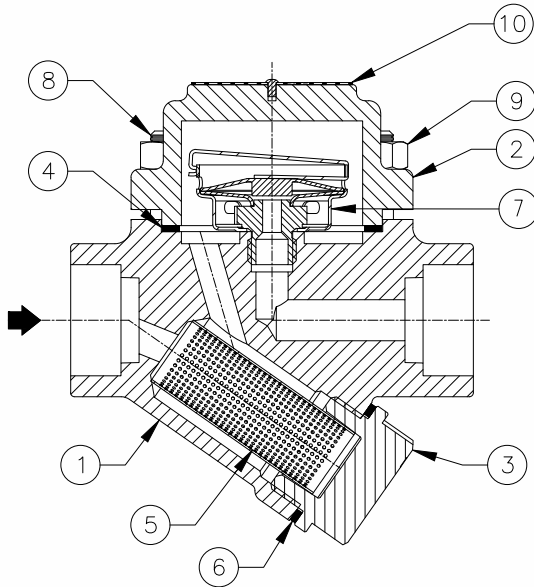
DISCHARGE CAPACITY (Kg/hr)

Model	Size	Differential Pressure (bar)										
		2	4	6	8	10	12	14	16	18	20	22
SLTST-35	15 NB 20 NB	305	415	472	520	560	595	617	635	652	667	681

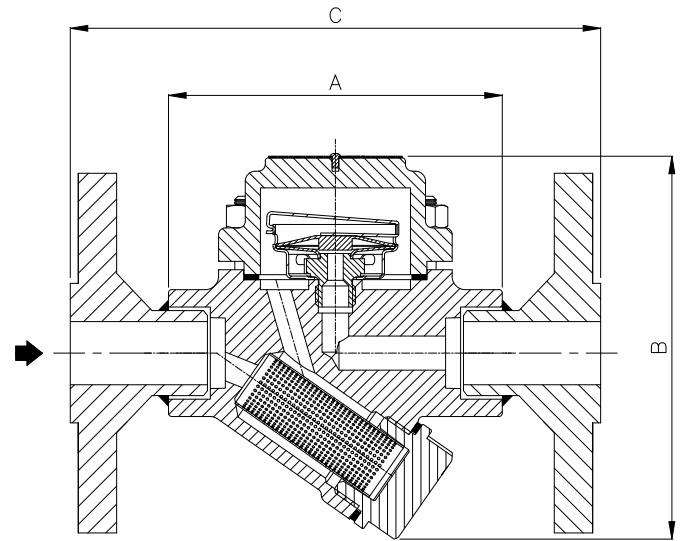


[SLTST- 35] THERMOSTATIC STEAM TRAP

CONSTRUCTION



DIMENSIONS



PART LIST

No.	Part Name	Material	Qty.
1	Body	ASTM A105	1
2	Cover		1
3	Strainer Cap	ASTM A351 Gr. CF8	1
4	Cover Gasket	Non CAF HT	1
5	Strainer Screen	AISI 304 (0.8 Perf)	1
6	Strainer Cap Gasket	Non CAF HT	1
7	Thermostatic Element Assembly	AISI 304	1
8	Stud	ASTM A 193 Gr. B7	4
9	Nut	ASTM A 194 Gr. 2 H	4
10	Name Plate	ASAI 304	1

HOW TO ORDER

Ex. SLTST-35, Forged Carbon Steel,
Thermostatic steam trap, 15 NB, Screwed
BSPT, IBR

Screwed / Socket Weld

SLTST - 35	A (mm)	B (mm)	Wt. (Approx)
15, 20 NB	100	115	1.7 (kg)

Flanged

Model	Class	Size (mm)	Wt. (Approx)	
SLTST-35	# 150	15 NB	180	2.0 kg
		20 NB	184	2.2 kg
	# 300	15 NB	190	2.4 kg
		20 NB	194	2.7 kg

SPARE PARTS

- Thermostatic Element
- Thermostatic Element Assembly
- Strainer Screen (Set of 3)
- Strainer Cap Gasket (Set of 3)



Steamlok Engineering Private Limited

Factory : W75, S-Block, MIDC Bhosari, Pune (MH) 411 026, India

Email : sales@steamlokengineering.com

Web : www.steamlok.com | www.steamlok.co.in